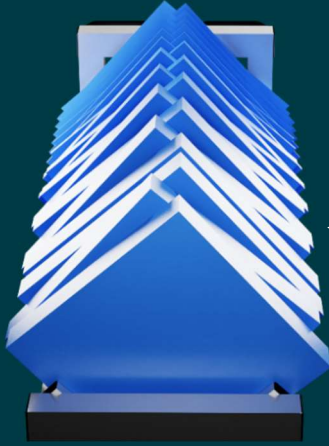


Water Trolley

Make your Solid water more accessible and easier to handle. Sizes configurable to accommodate your collection of slabs



Features



The alternately tilting shelf design, and ample space between each slot, allows easy selection and handling of the solid water

Two handles make it easy to control the trolley during transport



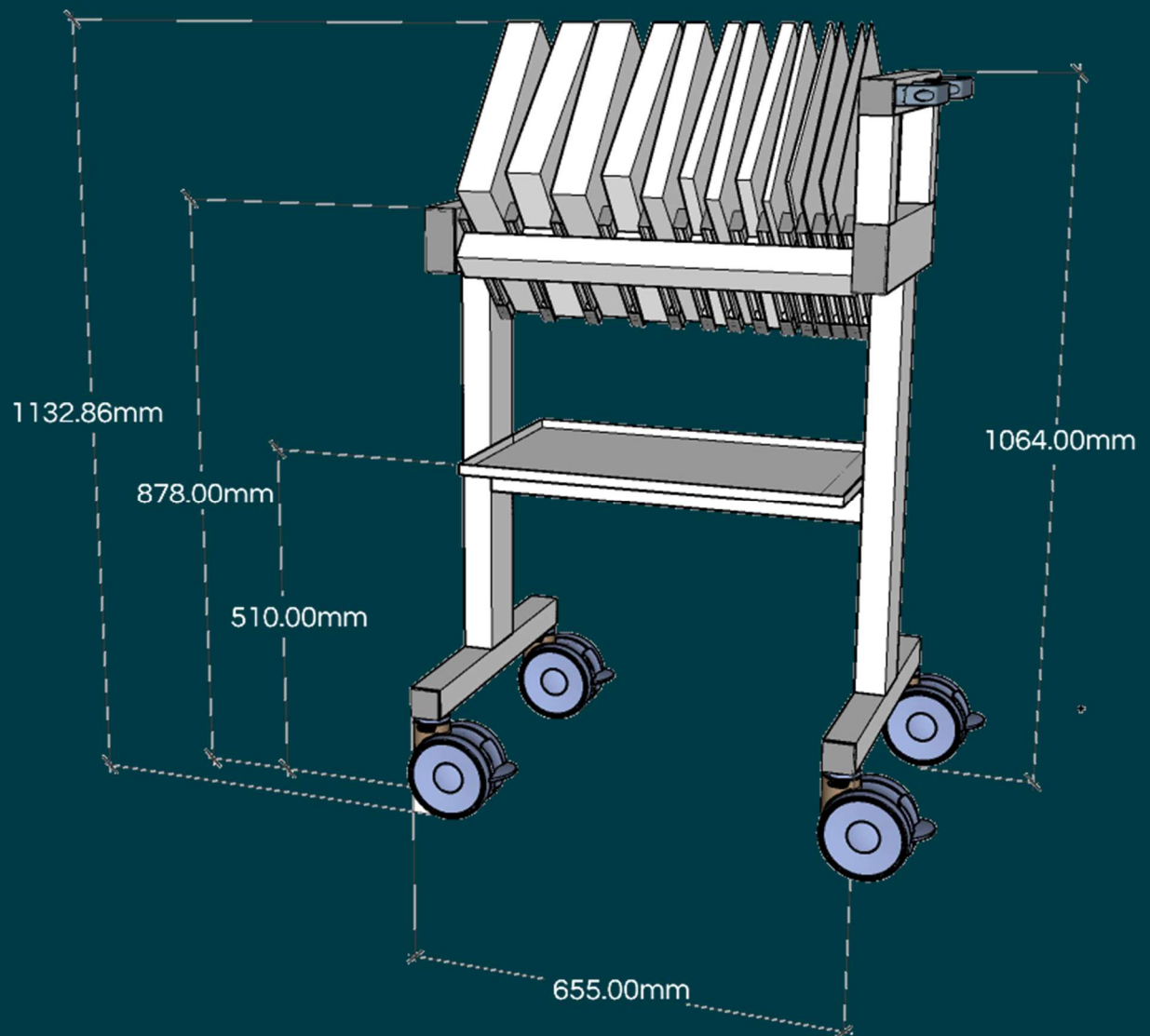
A shelf with a safety rim is provided for placing slabs with ion chambers



Large wheels for smoother transport and equipped with locks for secure transfer



Small Water Trolley Dimensions



Large Water Trolley Dimensions

