

Electron Trolley

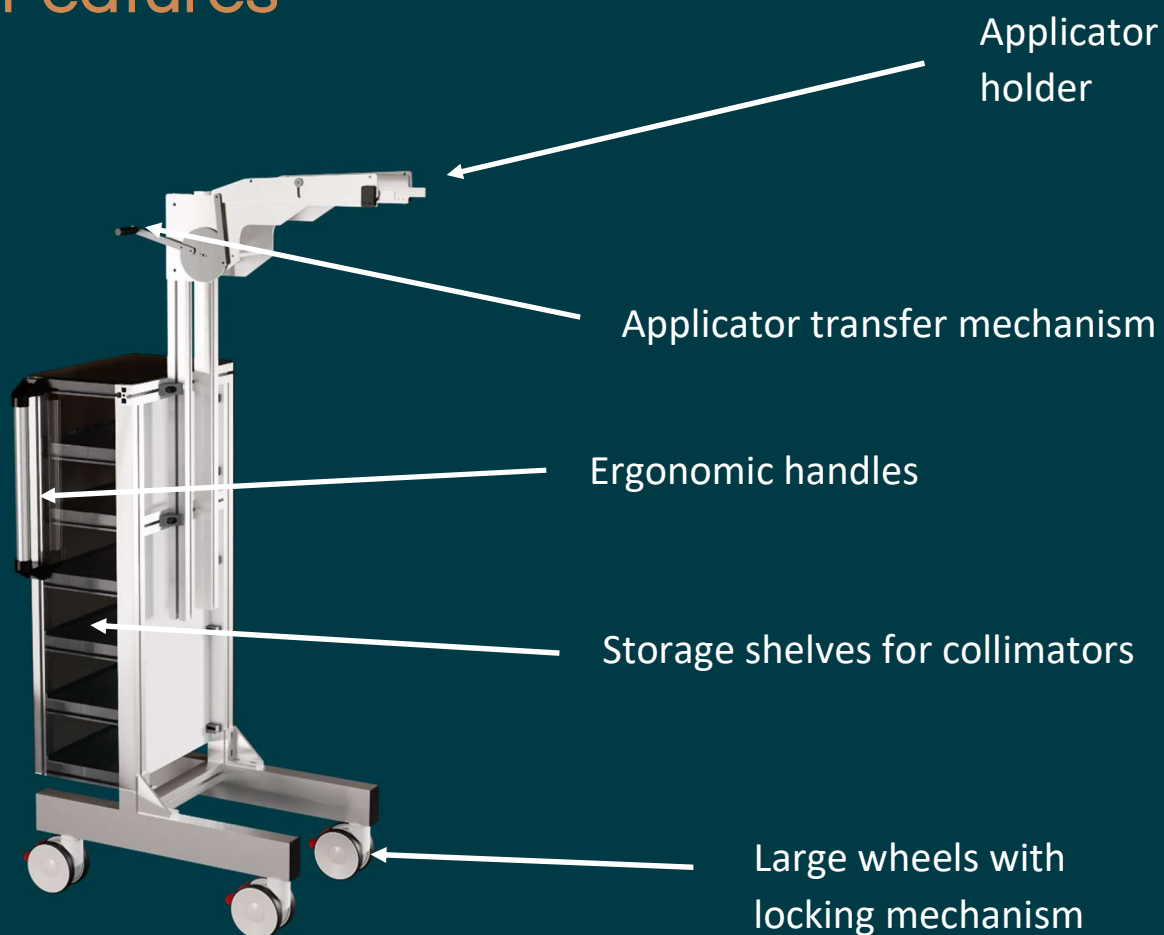
Cumbersome electron applicators become easy to handle with the Omniscopeiq electron trolley



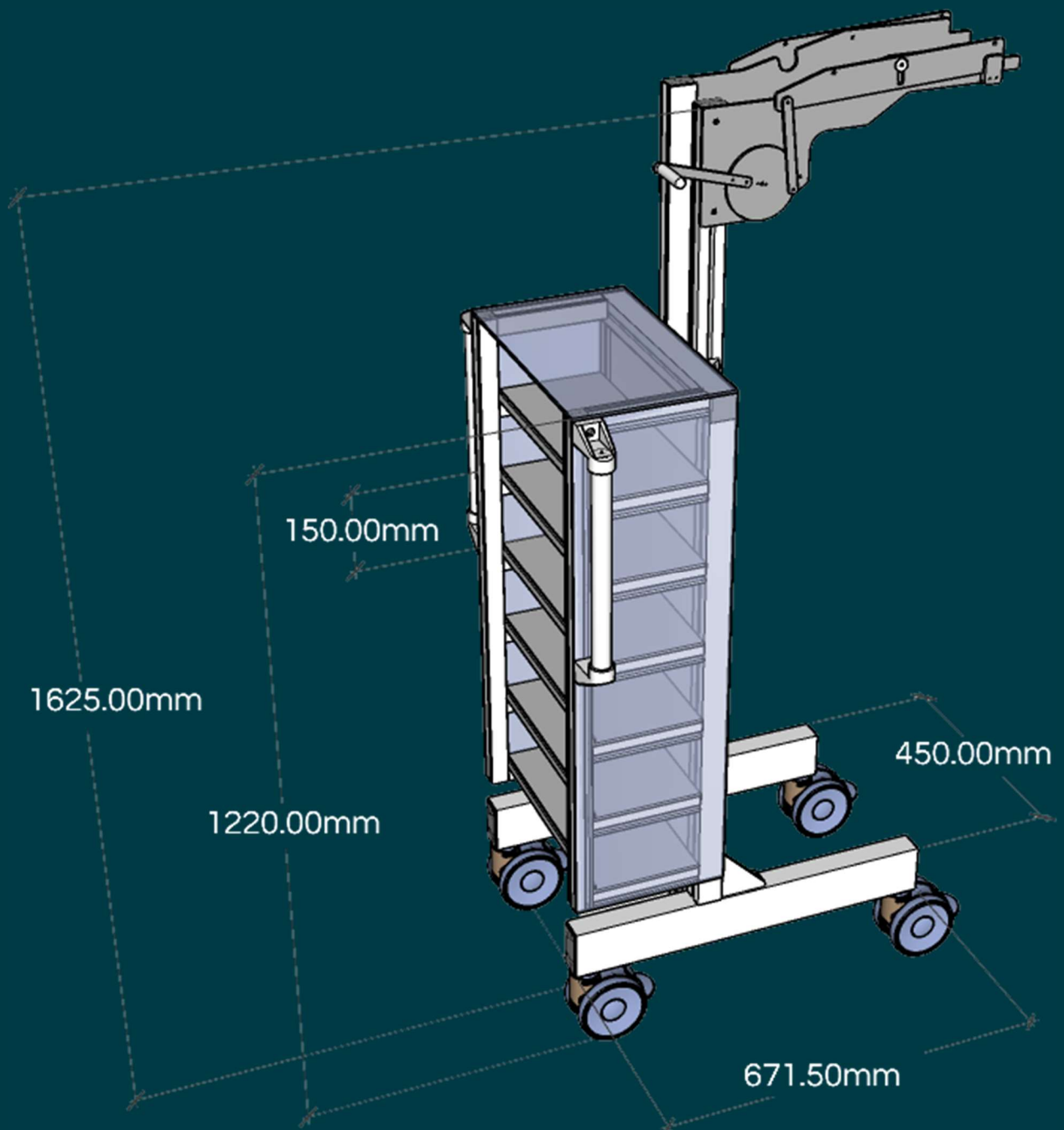
Electron Trolley for secure handling

A 2020 study (1) reported that *'Radiation therapists appear to be at considerable risk for work-related musculoskeletal injuries, which corresponds with findings of studies on health care employees. The high prevalence observed among radiation therapists (76%) is similarly high among nurses'*, whilst others reported that the *'Cost per medically consulted injury in 2022 was \$40,000'* (2)

Features



Electron Trolley Dimensions



References

1. Alexander N Hanania, Aubrey Cook, Mariflor P Threadgill, Sadie H Conway, Michelle Ludwig, Prevalence of Musculoskeletal Work-related Injuries Among Radiation Therapists, Radiol Technol. 2020 May;91(5):414-421.
2. <https://injuryfacts.nsc.org/work/costs/work-injury-costs/>

Disclaimer

The studies referenced in this advertisement highlight the prevalence of musculoskeletal work-related injuries among radiation therapists and the costs associated with work-related injuries. While these studies provide valuable insights into the challenges faced by radiation therapists, they do not specifically address the handling of electron applicators or the use of the product being advertised. The product is designed to aid in the safe handling of heavy equipment in radiation therapy, but the studies cited should not be interpreted as direct evidence of the product's efficacy or impact. Always refer to product-specific information and consult with professionals regarding its use.